

Z5354

E8/E12 Flying adapter

Z5355

E8/E12 Flying adapter link

Mounting instructions (1.2 EN)

Contents

1. Scope of supply.....	3
2. Intended use.....	4
3. Safety precautions.....	4
4. Attaching the Flying adapter to the cabinet.....	4
5. Vertical and horizontal aiming.....	5
6. Using the Flying adapter link.....	6
7. Maintenance and care.....	8
8. Disposal.....	8
Manufacturer's declarations.....	9

General Information

Z5354 E8/E12 Flying adapter
Z5355 E8/E12 Flying adapter link

Mounting instructions

Version 1.2 EN, 09/2012, D2978.EN .01

Copyright © 2012 d&b audiotechnik GmbH; all rights reserved.

Keep this manual with the product or in a safe place so that it is available for future reference.

d&b audiotechnik GmbH
Eugen-Adolff-Strasse 134, D-71522 Backnang, Germany
Telephone +49-7191-9669-0, Fax +49-7191-95 00 00
E-mail: docadmin@dbaudio.com, Internet: www.dbaudio.com

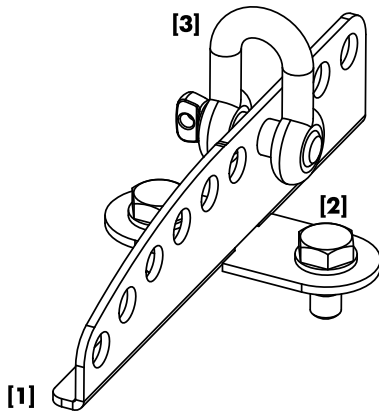
Z5354 E8/E12 Flying adapter, Z5355 E8/E12 Flying adapter link

1. Scope of supply

The Flying adapter and the link are delivered separately. Please verify the respective shipment for completeness and condition of the items.

Flying adapter

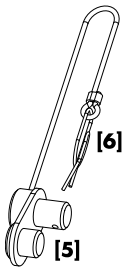
Qty.	d&b Code	Description
1	Z5354	E8/E12 Flying adapter [1]
2		Hex head bolt, M10 x 25 [2] with spring washer (und detachably pre-assembled)
1		Shackle 1 to. [3] (pre-assembled)
1	D2978.INT	Mounting instructions



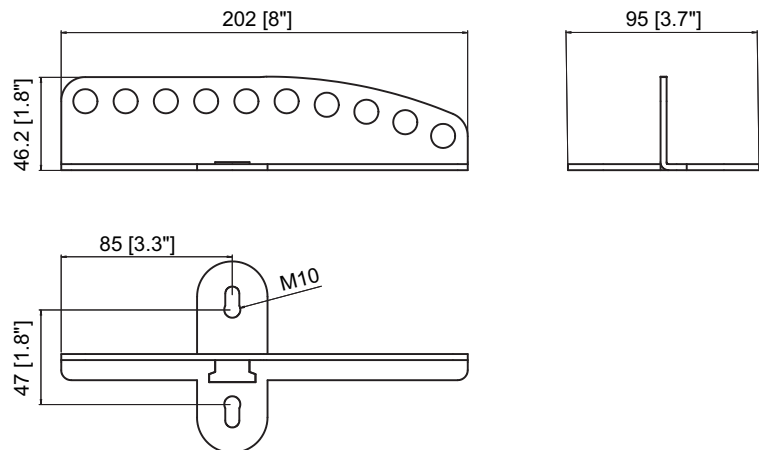
Z5354, E8/E12 Flying adapter

Flying adapter link

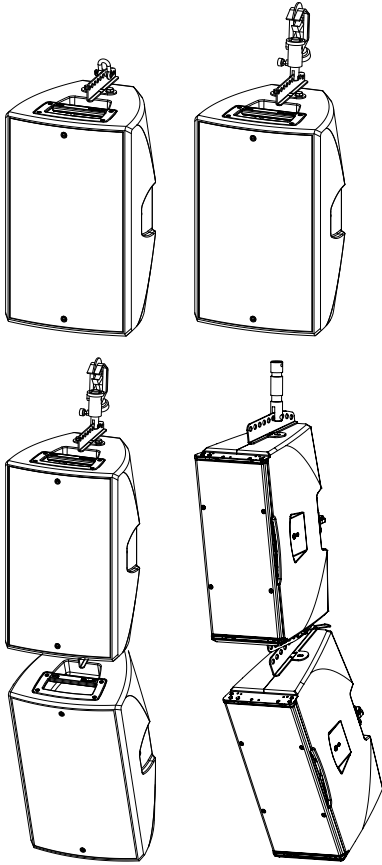
Qty.	d&b Code	Description
1	Z5355	E8/E12 Flying adapter link [5] with securing pin [6] that is attached to the link by a steel wire.
1	D2978.INT	Mounting instructions



Z5355, E8/E12 Flying adapter link



Z5354, E8/E12 Flying adapter dimensions in mm [inch]



2. Intended use

The Z5354, E8/E12 Flying adapter and the Z5355 E8/E12 Flying adapter link must only be used in conjunction with the d&b E-Series E8 and E12 (E12-D) or T-Series T10 (in Point source mode) loudspeakers as described in these mounting instructions.

Installation and setup should only be carried out by qualified and authorized personnel observing the valid national Rules for the Prevention of Accidents (RPA).

It is the responsibility of the person installing the assembly to ensure that the suspension/fixing points are suitable for the intended use.

The Flying adapter can be used:

- together with the supplied 1 to. Shackle to be suspended using a steel wire rope or chain.
- together with the Z5015 TV spigot and Z5012 Pipe clamp to be attached to overhead bars or trusses with a tube diameter up to 51 mm (2"). Alternatively the Z5147 Rota Clamp can be used.
- together with the Z5355, E8/E12 Flying adapter link to set up a vertical array of maximum of two cabinets.

NOTICE: Observe the maximum permitted load of the related accessories as stated in the respective manuals/mounting instructions.

3. Safety precautions

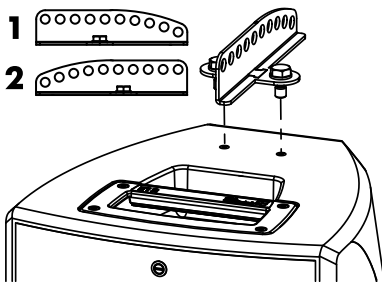
General safety

Always carry out a visual and functional inspection of the components before use. If there is any doubt as to the function and safety of the components, do not use them. Please also refer to section 7. Maintenance and care on page 8.

Load safety information

The maximum permitted working load of the adapter and link is **32 kg (71 lb)** (according to BGV C1).

4. Attaching the Flying adapter to the cabinet



The Flying adapter can be attached in two directions (1 and 2 - as shown in the graphic opposite) and is directly bolted to the M10 threaded inserts of the cabinet's top or bottom panel.

Tools required: Open ended spanner/wrench (size #17).

1. Attach the Flying adapter to the threaded inserts of the cabinet.
2. Screw in the two hex head bolts until they are hand tightened.
3. Finally tighten the screws.

5. Vertical and horizontal aiming

Vertical aiming

The Flying adapter is equipped with ten locating holes (12 mm). The vertical aiming of the loudspeaker depends on which of the adapter's locating holes is used. The vertical angle is related to the center of gravity of the cabinet.

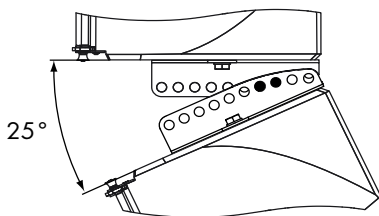
The Flying adapter can be attached in two directions. The corresponding values for a single cabinet are listed in the following tables for both directions of the Flying adapter.

Direction 1	Vertical aiming										
	E8										
	Hole grid	1	2	3	4	5	6	7	8	9	10
	Angle (°)*	+6	0	-5	-11	-16	-21	-26	-31	-36	-40
	E12 (E12-D)										
	Hole grid	1	2	3	4	5	6	7	8	9	10
	Angle (°)*	-6	-9	-13	-16	-20	-23	-26	-29	-33	-36
	T10 (in Point Source Mode)										
	Hole grid	1	2	3	4	5	6	7	8	9	10
	Angle (°)*	+8	+4	-1	-5	-10	-14	-18	-23	-27	-31
	10S/D										
Hole grid	1	2	3	4	5	6	7	8	9	10	
Angle (°)*	+17.5	+14	+11	+7.5	+4.5	+1	-2.5	-6	-9	-12.5	
12S/D											
Hole grid	1	2	3	4	5	6	7	8	9	10	
Angle (°)*	+23	+19.5	+16.5	+13	+9.5	+6.5	+3	0	-3.5	-6.5	

* Positive value: Cabinet points upwards. Negative value: Cabinet points downwards

Direction 2	Vertical aiming										
	E8										
	Hole grid	1	2	3	4	5	6	7	8	9	10
	Angle (°)*	+16	+10	+4	-1	-7	-12	-18	-22	-27	-32
	E12 (E12-D)										
	Hole grid	1	2	3	4	5	6	7	8	9	10
	Angle (°)*	0	-3	-6	-10	-13	-17	-20	-24	-27	-30
	T10 (in Point Source Mode)										
	Hole grid	1	2	3	4	5	6	7	8	9	10
	Angle (°)*	0	-3	-6	-10	-13	-17	-20	-24	-27	-30
	10S/D										
	Hole grid	1	2	3	4	5	6	7	8	9	10
	Angle (°)*	+10.5	+7	+4.5	+1.5	-2.5	-5	-8.5	-11.5	-14.5	-17.5
12S/D											
Hole grid	1	2	3	4	5	6	7	8	9	10	
Angle (°)*	+15.5	+12	+9	+6	+3.5	+0.5	-3.5	-6	-9.5	-12	

* Positive value: Cabinet points upwards. Negative value: Cabinet points downwards



Note on T10 cabinets

Due to the narrow vertical dispersion angle of 35° of the T10 cabinet in point source mode, we recommend a maximum splay angle of 25° between two vertically flown T10 cabinets.

To achieve this, insert the Flying adapter link to hole 7/8 with the Flying adapter attached in direction 1.

The use of the Flying adapter link is described in the following section 6.

Horizontal aiming

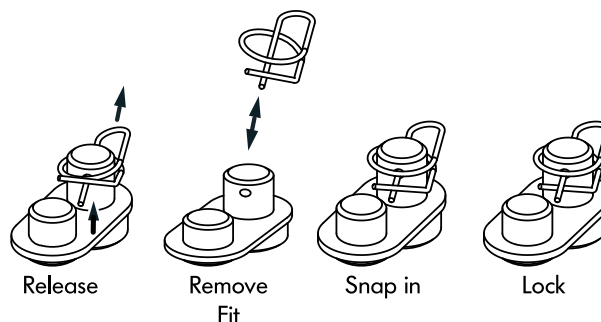
The horizontal aiming of the entire array is adjusted at the suspension point or lifting device .

6. Using the Flying adapter link

The Z5355 E8/E12 Flying adapter link enables two Flying adapters to be linked together. This allows E8, E12 (E12-D) or T10 cabinets to be arrayed vertically.

The link is equipped with a securing pin (Rue ring cotter) which is attached to the link by a steel wire. The pin is used to secure the link.

Function of the securing pin (Rue ring cotter)



Assembly

CAUTION! Carry out the entire assembly on stable ground before lifting the array into its operating position.

Preparing the loudspeaker

(Graphic opposite: step 1 and 2)

For acoustical reasons we recommend to attach the two Flying adapters between the cabinets in the same direction.

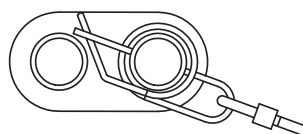
1. Attach one Flying adapter each to the top and bottom panel of the upper loudspeaker.
2. Attach one Flying adapter to the top panel of the second loudspeaker.

Link the Flying adapters together

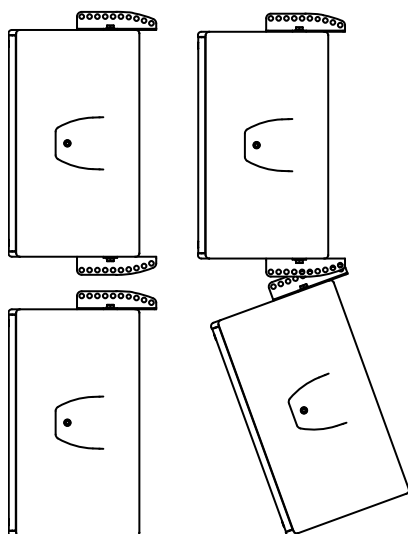
(Graphics opposite: step 3 to 5)

3. Position the bottom Flying adapter of the upper cabinet with the Flying adapter of the bottom cabinet so that two of the locating holes are aligned.
4. From one side attach the link to the two holes which are in line.
5. Attach the securing pin.

CAUTION! Ensure the securing pin is properly attached before lifting the array into its operating position.

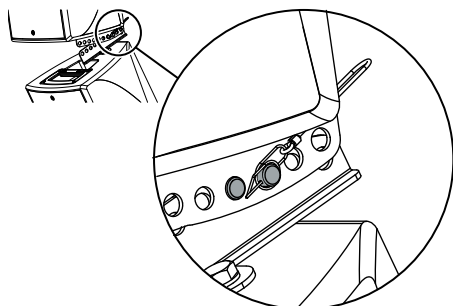


Properly attached securing pin



Step 1 and 2

Step 3



Step 4 and 5

7. Maintenance and care

Storing/Transport

Due to its surface treatment the components are temporarily protected against moisture. However, ensure the components are in a dry state while stored or during transport and use.

During transport ensure the components are not stressed or damaged by mechanical forces.

Cleaning

Regularly clean and lubricate the components using an anti-corrosion agent.

Inspections

To eliminate the potential risk of accident due to malfunctioning of the components carry out a visual and functional inspection of the components regularly.

If the components fail to operate correctly and/or safely the bracket must be withdrawn from use immediately.

Flying adapter and link

In particular pay attention to obvious damage, deformation, cracks and corrosion.

Securing pin (Rue ring cotter)

Visually inspect the securing pin for obvious damage and deformation. Also carry out a functional test of the locking mechanism.

If it is no longer possible to fit and lock the securing pin, it must be replaced (refer to the graphic opposite).

d&b order code: Q9083 (Securing pin RUE 22).



Securing pin o.k. **Change the securing pin**
Condition of the securing pin

8. Disposal

Please dispose of this product according to the respective national regulations.

Ensure that damaged rigging components are disposed of in a way that they can not be used again.

Manufacturer's declarations

EC Declaration of conformity

within the meaning of the EC Machine Directive 98/37/EEC

We hereby declare that the equipment designated below is designed and built in the version sold by us in such a way as to comply with the relevant fundamental safety and health criteria of the applicable EC Directive(s). This declaration shall cease to be valid if alterations are made to the equipment without our prior agreement.

This declarations covers:

d&b E8/E12 Flying adapter, Z5354

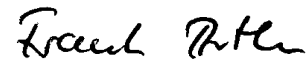
d&b E8/E12 Flying adapter link, Z5355

To be used as described in these mounting instructions.

National standards and technical specifications applied:

DIN EN ISO 12100, DIN EN 1050, BGV C1

Backnang, January 10, 2008



(Frank Bothe, Managing Director)

